

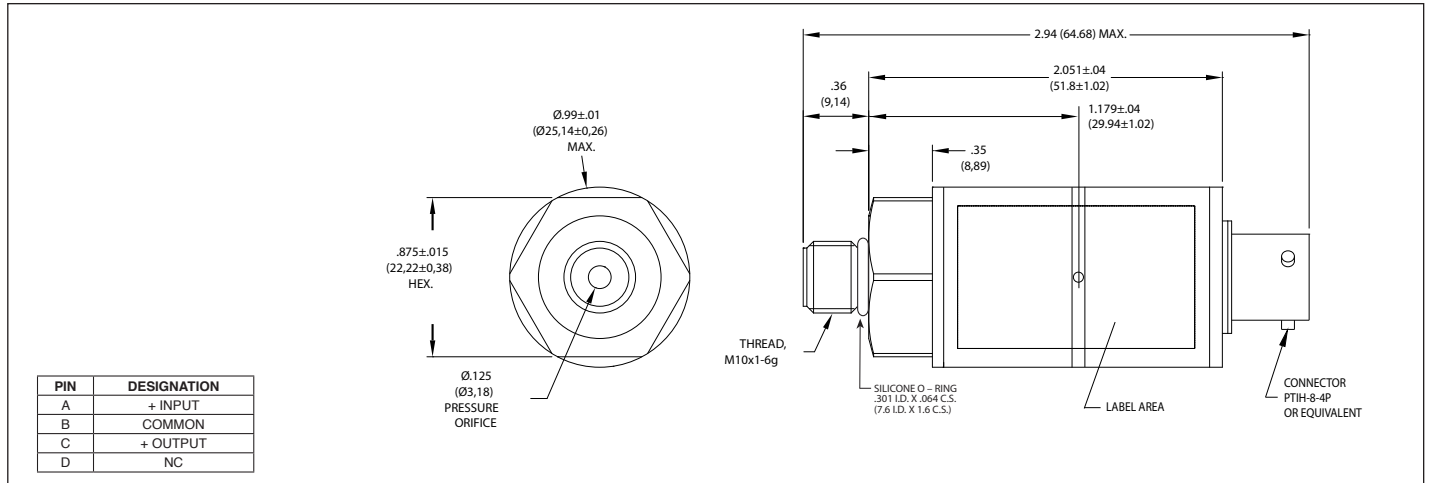


# VOLTAGE OUTPUT DIGITALLY CORRECTED PRESSURE TRANSMITTER

## IPTE-484-1000 Series

- Robust Construction
- High Accuracy
- Digitally Corrected
- Silicon on Silicon Integrated Sensor **VIS**<sup>®</sup>

The IPTE-484-1000 offers a high accuracy voltage output with a total error band of 0.25% FSO across the ultra-wide temperature range of -40°C to +150°C. Designed to measure liquid or gas pressure (with its all-welded, hermetic stainless steel construction), the transducer is ideal for road test, flight test and industrial sensing applications.



	4 Bar	10 Bar	20 Bar	
<b>INPUT</b>	Pressure Range	4 Bar	10 Bar	20 Bar
	Operational Mode	Gage		
	Over Pressure	2 Times Rated Pressure		
	Burst Pressure	3 Times Rated Pressure		
	Pressure Media	Any Media Compatible With 316 SS Stainless Steel		
	Rated Electrical Excitation	12 ± 4 VDC		
	Maximum Electrical Current	3.5 mA (Max.)		
<b>OUTPUT</b>	Output Impedance	250 Ohms (Max.)		
	Full Scale Output (FSO) (Net)	5 V ± 0.025 VDC		
	Total Error Band (Including End Points)	0.25% FSO (Max.) (Combined Non-Linearity, Hysteresis, Repeatability and All Thermal Effects Included)		
	Response Time	2 Milliseconds (Typ.) @ 200Hz Bandwidth		
	Residual Unbalance	0.5 VDC ± 0.025 VDC		
Insulation Resistance	100 Megohm Min. @ 50 VDC			
<b>ENVIRONMENTAL</b>	Operating Temperature Range	-40°F to +302°F (-40°C to +150°C)		
	Compensated Temperature Range	-40°F to +302°F (-40°C to +150°C)		
	Humidity	100% Relative Humidity		
<b>PHYSICAL</b>	Electrical Connection	PTIH-8-4P Connector or Equivalent		
	Weight	75 Grams		
	Pressure Sensing Principle	Fully Active Four Arm Wheatstone Bridge Dielectrically Isolated Silicon on Silicon		
	Mounting Torque	75 Inch-Pounds (Max.)		

Note: Custom pressure ranges, accuracies, voltage output range, and mechanical configurations available. Dimensions are in inches. Dimensions in parenthesis are in millimeters. All dimensions (A) nominal. Continuous development and refinement of our products may result in specification changes without notice. Copyright © 2018 Kulite Semiconductor Products, Inc. All Rights Reserved.